



PRODUCT GUIDE

August 2021



AUSTRALIA'S #1 LADDER BRAND
BAILEYLADDERS.COM.AU

THE PUNCHLOCK® ADVANTAGE

AUSTRALIA'S #1 LADDER BRAND

Bailey's Professional range of ladders are manufactured using our Punchlock® construction technology. Combined with our unique double hollow tread design, this gives the distinct advantages of strength, stiffness and durability unmatched by riveted ladders.



PUNCHLOCK® SUPER STRONG

- 66% stronger than conventional riveted type ladders
- Increased strength and durability



DOUBLE HOLLOW TREAD TWIST RESISTANT

- Increased rigidity and stiffness in the ladder frame
- Reduces ladder twisting



TRI-BRACING SUPER STABLE

- Strongest support between tread and stile
- Eliminates catch points



LIGHTWEIGHT DESIGN SUPER LIGHT

- Industrial strength and safety with a lightweight advantage
- Reduces strain and fatigue

All these distinct advantages are engineered into our Professional range of Aluminium and Fibreglass ladders.

DISCOVER THE ADVANTAGE YOURSELF - INVEST IN OUR SUPERIOR PROFESSIONAL RANGE OF LADDERS THAT WILL GIVE YOU YEARS OF SERVICE.

BAILEY PRODUCT GUIDE 2021

CONTENTS

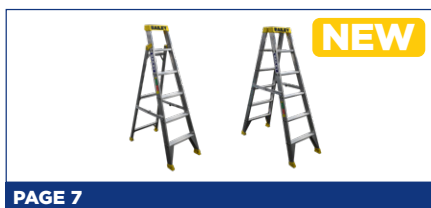
Choosing The Right Ladder



Load/Duty Ratings & Ladder Safety



Single Side Leaning & Double Sided Stepladders



A general purpose stepladder accessed from a single side only or both sides, on a double sided stepladder.

Multi-Purpose Ladders



Highly versatile – can be used as a stepladder and a straight ladder with adjustable heights, or separated into two low-level trestles.

SLS 3 IN 1 Ladders



A revolutionary new design of ladder that can be used as Step Ladder, a Leaning Ladder or a Straight Ladder.

Dual Purpose & Step Extension Ladders



Highly versatile (2 in 1) – converts from a stepladder to a straight ladder.

Extension & Single Ladders



Designed for height access for builders, carpenters, plumbers and serious DIY. Fixed length or height adjustable.

Platform Stepladders



Provides a safe work platform when working at heights. Can be closed for storage.

Safety Steps



A compact access solution where storage space is at a premium

Attic Ladders



Lightweight, aluminium ladders designed to access roof spaces.

Order Pickers & Access Platforms



Used for moderate/frequent use stock picking applications.

Modular Access/ Platform Systems



A versatile platform system that can be configured to your requirements up to a platform height of 1.65m

Mobile Scaffolding



Designed for quick, safe and efficient erection and use at the work site or around the home.

CHOOSING THE RIGHT LADDER

STEP 1 - LADDER SIZE

Choose the correct size of ladder for the job

• 1m = 3 feet approximately

STEPLADDERS	
Ladder Size	Max. Reach Height
2	2.0m
3	2.3m
4	2.6m
5	2.9m
6	3.2m
7	3.5m
8	3.8m
10	4.4m
12	5.0m

EXTENSION LADDERS	
Ladder Size	Max. Reach Height
8	5.0m
10	6.2m
12	7.4m
14	8.9m
15	9.5m
16	10.1m
17	10.7m
18	11.6m
20	12.2m

PLATFORMS	
Platform Size	Max. Reach Height
2	2.6m
3	2.9m
4	3.2m
5	3.5m
6	3.75m
7	4.0m
8	4.3m
10	4.9m
12	5.5m

STEP 2 - LADDER TYPE

Choose the correct type of ladder for the job



Step Stool



Platform Stepladder



Single Sided Leaning Stepladder



Double Sided Leaning Stepladder



Dual Purpose Stepladder



Single & Extension Ladder



Order Picker & Access Platform



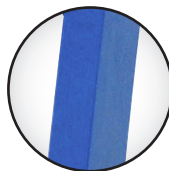
Scaffold

STEP 3 - LADDER MATERIAL

Choose the right construction



Aluminium:
Lightweight



Fibreglass:
Electro - Safe™
(non-conductive)

STEP 4 - LOAD/DUTY RATING

Choose a suitable load and duty rating



100kg
HOUSEHOLD/
DOMESTIC

120kg
DIY/
INDUSTRIAL

150kg ▶ **170kg** ▶ **200kg**
PROFESSIONAL/
INDUSTRIAL



Load Rating: The maximum load including the weight of the user, materials and tools which the ladder is intended to carry.

Duty Rating: The rating assigned to a ladder, ie. industrial or domestic, which indicates the service capability of the ladder.

Bailey product selection assistant: <http://baileyladders.com.au/product-selector>

5.1m

GUTTERS	
Single Storey	
2.4m	2.7m
Double Storey	
5.1m	5.7m

EXTERIOR WALLS	
Windows	
2.4m	2.7m

2.7m

CEILINGS	
Light Fittings	
2.4m	2.7m

INTERIOR WALLS	
Wall Hangings	
2.4m	2.7m



LOAD/ DUTY RATINGS IN DETAIL AND LADDER SAFETY

What is a 'load rating'?

The maximum safe working load of the ladder, including the weight of the user tools/equipment and materials they are carrying.

Exceeding the safe working load is dangerous and voids warranties. A minimum load rating of 120kg must be used in all 'workplaces'.

What is a 'duty rating'?

The duty rating is assigned by the manufacturer based on the product's design parameters.

There are two duty ratings: Domestic and Industrial. Only ladders with an 'Industrial' duty rating can be used in any workplace.

Ratings Explained

DOMESTIC 100KG

DOMESTIC

For domestic use in and around the home e.g. cleaning, cupboard access. Must not be used in a workplace. Made to the requirements of Australian Standards AS1892

INDUSTRIAL 135KG

INDUSTRIAL 120KG

INDUSTRIAL

For moderate industrial use. An industrial grade of ladder for trade or serious DIY/handyman. Made to the requirements of Australian Standards AS1892

INDUSTRIAL 225KG W.L.L

INDUSTRIAL 200KG

INDUSTRIAL 170KG

INDUSTRIAL 160KG

INDUSTRIAL 150KG

INDUSTRIAL 140KG

INDUSTRIAL - HEAVY DUTY - PROFESSIONAL

For heavy duty industrial trade/commercial use by professional contractors, tradespersons, workplaces, serious DIY/handyman. Made to the requirements of Australian Standards AS1892

Ladder Safety and General Principles

- Ladders must be handled with care at all times.
- Observe the manufacturers warnings and instructions.
- Observe closely the area in which you wish to position the ladder and assess for risks (e.g. open door ways, overhead power lines, uneven ground).
- Where a risk is present, remove (or reduced to an acceptable level) the risk, or seek an alternative safe means of access.
- Ladders are designed and built for a specific use. Read the warning labels and never use the ladder that is not recommended by the manufacturer.
- Choose the right type of ladder and the correct height for the task at hand.
- Always inspect the ladder for damage prior to use.
- NEVER USE A LADDER THAT HAS BEEN DAMAGED OR HAS MISSING PARTS.
- Ensure the ladder is free from dirt, water and grease prior to use paying particular attention to the treads/ rungs.
- When using a ladder near a door way, block/lock the door and/or post a guard.
- Do not leave ladders unattended while they are erected in case of children climbing.
- Always wear fully enclosed footwear with slip resistance soles.
- Avoid using ladders in very wet or windy conditions.
- Never use a ladder if you are impaired by drugs, alcohol or sickness.

SINGLE SIDED LEANING & DOUBLE SIDED STEPLADDERS





Multi-function top cap



Multi-function top cap

PROFESSIONAL PUNCHLOCK® SINGLE SIDED LEANING STEPLADDER **NEW**

ALUMINIUM LIGHTWEIGHT **INDUSTRIAL** **150KG**

The new Bailey Pro Punchlock® aluminium single sided leaning stepladder gets you close to the worksurface improving job site safety and productivity.

- 150kg load rating and industrial duty rating make it suitable for trade and commercial applications
- The Punchlock® tread design increases torsional rigidity of the overall ladder frame
- Unique top cap allows the ladder to be safely used as a leaning ladder
- The multi-function top cap provides storage for tools
- Anti-slip PVC boots for added stability
- Light weight and strong aluminium construction
- Flat plate tri-bracing increases strength and stability
- Made to Australian Standards AS1892



Product No.	Description	Nominal Size	Nominal Max. Reach Height	EAN Code	Nominal Weight
FS13957	Pro AL Single Sided Leaning 6 150kg	1.79m	3.19m	9312097064805	8.2kg
FS13959	Pro AL Single Sided Leaning 8 150kg	2.39m	3.79m	9312097064829	10.9kg

Spare Parts

SPI5-020AZ Feet Kit

PROFESSIONAL PUNCHLOCK® SINGLE SIDED LEANING STEPLADDER **NEW**

FIBREGLASS ELECTRO-SAFE™ **INDUSTRIAL** **150KG**

The new Bailey Pro Pro Punchlock® fibreglass single sided leaning stepladder gets you close to the worksurface improving job site safety and productivity

- 150kg load rating and industrial duty rating make it suitable for trade and commercial applications
- The Punchlock® tread design increases torsional rigidity of the overall ladder frame
- Electro-safe™ fibreglass design makes it suitable to use where an electrical hazard exists
- Unique top cap allows the ladder to be safely used as a leaning ladder
- Anti-slip PVC boots for added stability
- Flat plate tri-bracing increases strength and stability
- Made to Australian Standards AS1892



Product No.	Description	Nominal Size	Nominal Max. Reach Height	EAN Code	Nominal Weight
FS13972	Pro FG Single Sided Leaning 6 150kg	1.79m	3.19m	9312097064959	10.5kg
FS13973	Pro FG Single Sided Leaning 7 150kg	2.09m	3.49m	9312097064966	12.0kg
FS13974	Pro FG Single Sided Leaning 8 150kg	2.39m	3.79m	9312097064973	13.8kg
FS13975	Pro FG Single Sided Leaning 10 150kg	2.99m	4.39m	9312097064980	17.1kg
FS13976	Pro FG Single Sided Leaning 12 150kg	3.59m	4.99m	9312097064997	20.9kg

Spare Parts

SPI5-022AZ Feet Kit



TRADE RIVETED DOUBLE SIDED STEPLADDER

ALUMINIUM
LIGHTWEIGHT

INDUSTRIAL

150KG

- Riveted construction
- Industrial Duty Rated. Designed for use on industrial work sites where strength, durability and safety is required
- 150kg load rating
- Heavy duty extruded aluminium construction
- Internal arm system provides extra stability and resistance to ladder-walk
- Anti-slip feet for maximum grip on any surface for added safety and stability
- Made to Australian Standards AS1892

Product No.	Description	Nominal Size	Nominal Max. Reach Height	EAN Code	Nominal Weight
FS13428	TRADE AL DS 3 150kg	0.9m (3')	2.3m	9312097055629	5.9kg
FS13429	TRADE AL DS 4 150kg	1.2m (4')	2.6m	9312097055636	6.6kg
FS13430	TRADE AL DS 6 150kg	1.8m (6')	3.2m	9312097055643	9.6kg
FS13431	TRADE AL DS 8 150kg	2.4m (8')	3.8m	9312097055650	12.8kg

Spare Parts

SPI5-026AZ S/P Feet Kit



PROFESSIONAL PUNCHLOCK® BIG TOP DOUBLE SIDED STEPLADDER **NEW**

ALUMINIUM
LIGHTWEIGHT

INDUSTRIAL

150KG

The new Bailey Pro Punchlock® Big Top double sided stepladder has an extra wide top cap and base for improved stability and safety

- 150kg load rating and industrial duty rating make it suitable for trade and commercial applications
- The Punchlock® tread design increases torsional rigidity of the overall ladder frame
- The extra wide multi-function top cap provides storage for tools, improving work site safety and productivity
- Anti-slip PVC boots for added stability
- Double sided design for greater versatility and load bearing strength
- Light weight and strong aluminium construction
- Flat plate tri-bracing increases strength and stability
- Made to Australian Standards AS1892



Multi-function top cap

Product No.	Description	Nominal Size	Nominal Max. Reach Height	EAN Code	Nominal Weight
FS13966	Pro AL Double Sided Big Top 3 150kg	0.89m	2.29m	9312097064898	6.1kg
FS13967	Pro AL Double Sided Big Top 4 150kg	1.19m	2.59m	9312097064904	7.5kg

Spare Parts

SPI5-021AZ Feet Kit



Multi-function top cap

PROFESSIONAL PUNCHLOCK® DOUBLE SIDED STEPLADDER **NEW**

ALUMINIUM
LIGHTWEIGHT

INDUSTRIAL

150KG

The new Bailey Pro Punchlock® aluminium double sided stepladder multi-function top cap has a paint tin and tool holder for improved work site safety and productivity.

- 150kg load rating and industrial duty rating make it suitable for trade and commercial applications
- The Punchlock tread design increases torsional rigidity of the overall ladder frame
- The multi-function top cap provides storage for paint cans and tools improving work site safety and productivity
- Anti-slip PVC boots for added stability
- Double sided design for greater versatility and load bearing strength
- Light weight and strong aluminium construction
- Flat plate tri-bracing increases strength and stability
- Made to Australian Standards AS1892



Product No.	Description	Nominal Size	Nominal Max. Reach Height	EAN Code	Nominal Weight
FS13960	Pro AL Double Sided 3 150kg	0.89m	2.29m	9312097064836	5.6kg
FS13961	Pro AL Double Sided 4 150kg	1.19m	2.59m	9312097064843	6.9kg
FS13963	Pro AL Double Sided 6 150kg	1.79m	3.19m	9312097064867	9.8kg
FS13965	Pro AL Double Sided 8 150kg	2.39m	3.79m	9312097064881	13.7kg

Spare Parts

SPI5-021AZ Feet Kit

PROFESSIONAL PUNCHLOCK® DOUBLE SIDED STEPLADDER **NEW**

FIBREGLASS
ELECTRO-SAFE™

INDUSTRIAL

150KG

The new Bailey Pro Punchlock® fibreglass double sided stepladder multi-function top cap has a tool holder for improved work site safety and productivity.

- 150kg load rating and industrial duty rating make it suitable for trade and commercial applications
- The Punchlock tread design increases torsional rigidity of the overall ladder frame
- Electro-safe™ fibreglass design makes it suitable to use where an electrical hazard exists
- The multi-function top cap provides storage for tools, improving work site safety and productivity
- Anti-slip PVC boots for added stability
- Double sided design for greater versatility and load bearing strength
- Flat plate tri-bracing increases strength and stability
- Made to Australian Standards AS1892



Multi-function top cap

Product No.	Description	Nominal Size	Nominal Max. Reach Height	EAN Code	Nominal Weight
FS13977	Pro FG Double Sided 3 150kg	0.89m	2.29m	9312097065000	7.4kg
FS13978	Pro FG Double Sided 4 150kg	1.19m	2.59m	9312097065017	9.1kg
FS13980	Pro FG Double Sided 6 150kg	1.79m	3.19m	9312097065031	12.8kg
FS13981	Pro FG Double Sided 7 150kg	2.09m	3.49m	9312097065048	15.6kg
FS13982	Pro FG Double Sided 8 150kg	2.39m	3.79m	9312097065055	17.6g
FS13983	Pro FG Double Sided 10 150kg	2.99m	4.39m	9312097065062	22.2g
FS13984	Pro FG Double Sided 12 150kg	3.59m	4.99m	9312097065079	27.1kg

Spare Parts

SPI5-023AZ Feet Kit

MULTI-PURPOSE LADDERS



BXS 20 MULTI-PURPOSE LADDERS

ALUMINIUM
LIGHTWEIGHT

INDUSTRIAL

135KG

- Industrial Duty Rated. Designed for use on industrial work sites
- 135kg load rating
- Strong, aluminium construction
- The most versatile ladder you can own
- Telescopic design quickly adjusts to a comfortable working height
- Adjust height quickly with spring loaded 'J' locks
- Adjust angle positions easily with push knobs
- Wide flared bottom for firm support and stability
- Anti-slip feet for added safety and stability
- Made to Australian Standards AS1892

Product No.	Description	Nominal Size	Nominal Max. Reach Height	EAN Code	Nominal Weight
FS13644	BXS20 MKII Multi-Purpose 135kg	2.3/4.5m (7'6"/14'8")	3.1/5.5m	9312097060005	16.7kg

Spare Parts

SPI5-011	S/P Feet Kit
----------	--------------



Stairway ladder



Stepladder



Straight ladder



Trestle ladder

SLS 3 IN 1 LADDERS



**AVAILABLE IN
ALUMINIUM
& FIBREGLASS**



SLS 3 IN 1 LADDERS STEP/ LEANING/ STRAIGHT LADDERS **NEW**

Clever leaning top cap

- Inside corner leaning
- Outside corner leaning
- Stud frame leaning

Patented barrel hinge

- Fast single handed operation
- Auto position lock function



Patented Barrel Hinge

ALUMINIUM LIGHTWEIGHT / **INDUSTRIAL** / **150KG**

Product No.	Description	Max. Reach Step	Max. Reach Leaning	Max. Reach Straight	EAN Code	Nominal Weight
FS13862	AL-SLS 3 IN 1 LADDER 150kg 6 (1.8m)	3.10m	3.10m	4.00m	9312097062979	8.5kg
FS13863	AL-SLS 3 IN 1 LADDER 150kg 7 (2.1m)	3.40m	3.40m	4.50m	9312097062986	9.8kg
FS13864	AL-SLS 3 IN 1 LADDER 150kg 8 (2.4m)	3.70m	3.70m	5.10m	9312097062993	11.1kg

FIBREGLASS ELECTRO-SAFE™ / **INDUSTRIAL** / **150KG**

Product No.	Description	Max. Reach Step	Max. Reach Leaning	Max. Reach Straight	EAN Code	Nominal Weight
FS13884	FG-SLS 3 IN 1 LADDER 150kg 6 (1.8m)	3.14m	3.14m	3.99m	9312097063228	11.5kg
FS13885	FG-SLS 3 IN 1 LADDER 150kg 7 (2.1m)	3.42m	3.42m	4.56m	9312097063235	13.3kg
FS13886	FG-SLS 3 IN 1 LADDER 150kg 8 (2.4m)	3.71m	3.71m	5.13m	9312097063242	15.2kg



DUAL PURPOSE & STEP EXTENSION LADDERS





PROFESSIONAL PUNCHLOCK® DUAL PURPOSE STEPLADDER **NEW**

ALUMINIUM
LIGHTWEIGHT

INDUSTRIAL

150KG

- Industrial Duty Rated and designed for use on industrial work sites where strength, durability and safety is required.
- 150kg load rating.
- PUNCHLOCK® rung to stile joint increases torsional rigidity of the overall ladder frames.
- Single handed latch operation easily converts from a stepladder to a straight ladder.
- Multi-function top cap with storage for tools and parts.
- Rear frame designed to allow use as a double sided stepladder.
- PVC boots and wall pads provide additional stability.
- Factory fitted "V" rung for use on poles and trees.
- Made to Australian Standards AS1892.



Product No.	Description	Nominal Size	Nominal Max. Reach Height	EAN Code	Nominal Weight
FS13988	Pro Aluminium DP6 150kg PUNCHLOCK®	1.79/3.30m	3.19/4.30m	9312097065116	8.4kg
FS13989	Pro Aluminium DP7 150kg PUNCHLOCK®	2.09/3.90m	3.49/4.90m	9312097065123	9.7kg
FS13990	Pro Aluminium DP8 150kg PUNCHLOCK®	2.39/4.50m	3.79/5.50m	9312097065130	11.0kg

Spare Parts

SPI5-026AZ S/P Feet Kit



TRADE RIVETED DUAL PURPOSE STEPLADDER

ALUMINIUM
LIGHTWEIGHT

INDUSTRIAL

150KG

- Riveted construction
- Industrial Duty Rated. Designed for use on industrial work sites where strength, durability and safety is required
- 150kg load rating
- Heavy duty extruded aluminium construction
- Three (3) sizes — 6, 7, 8 — a size for every height
- Ideal for trade and serious DIY
- Made to Australian Standards AS1892

Product No.	Description	Nominal Size	Nominal Max. Reach Height	EAN Code	Nominal Weight
FS13432	TRADE AL DP6 150kg	1.8/3.2m (6'/10')	3.2/4.2m	9312097055667	7.2kg
FS13433	TRADE AL DP7 150kg	2.1/3.8m (7'/12')	3.5/4.8m	9312097055674	8.4kg
FS13434	TRADE AL DP8 150kg	2.4/4.4m (8'/14')	3.8/5.4m	9312097055681	9.6kg

Spare Parts

SPI5-026AZ S/P Feet Kit



PROFESSIONAL RIVETED DUAL PURPOSE STEPLADDER WITH TREE & POLE SUPPORT

FIBREGLASS
ELECTRO-SAFE™

INDUSTRIAL

150KG

- Tree/pole support added to rear section dramatically improves stability when used against trees and poles
- Three (3) sizes — 6, 7, 8 — a size for every height
- Large anti-slip "Boots" increases stability when working at heights
- Trapezoidal tread design and deep fascia top caps increase the torsional rigidity of the overall ladder frames
- Industrial Duty Rated. Designed for use on Industrial work sites
- 150kg Load Rate
- Electro-Safe™ (non-conductive)
- Easily converts from a stepladder to a single ladder
- Made to Australian Standards AS1892



Product No.	Description	Nominal Size	Nominal Max. Reach Height	EAN Code	Nominal Weight
FS13668	FG DP6 with Tree/Pole Support	1.8/3.2m (6'/10')	3.2/4.2m	9312097060715	10.5kg
FS13669	FG DP7 with Tree/Pole Support	2.1/3.8m (7'/12')	3.5/4.8m	9312097060722	15.1kg
FS13670	FG DP8 with Tree/Pole Support	2.4/4.4m (8'/14')	3.8/5.4m	9312097060739	16.8kg

Spare Parts

SP15-009AZ S/P Feet Kit



PROFESSIONAL PUNCHLOCK® STEP EXTENSION STEPLADDER

NEW

FIBREGLASS
ELECTRO-SAFE™

INDUSTRIAL

150KG

- Industrial Duty Rated and designed for use on industrial work sites where strength, durability and safety is required.
- 150kg load rating.
- Electro-Safe™ ladders offer non-conductive properties suitable where electrical hazards exist.
- PUNCHLOCK® rung to stile joint increases torsional rigidity of the overall ladder frames.
- Innovative top cap design allow the ladder to be used as a leaning ladder as well as providing storage for tools and equipment.
- The back legs can be adjusted to allow the ladder to move up in 300 mm increments when in the extension ladder mode.
- The back section is designed to fit into small openings like man-hole covers.
- Anti-slip PVC boots for added stability.
- Factory fitted "V" rung for use on poles and trees.
- Made to Australian Standards AS1892.



Product No.	Description	Nominal Size	Nominal Max. Reach Height	EAN Code	Nominal Weight
FS13985	Pro Fibreglass FSE6 PUNCHLOCK® 150kg	1.79/3.13m	3.19/4.13m	9312097065086	14.0kg
FS13986	Pro Fibreglass FSE7 PUNCHLOCK® 150kg	2.09/3.73m	3.49/4.73m	9312097065093	15.8kg
FS13987	Pro Fibreglass FSE8 PUNCHLOCK® 150kg	2.39/4.03m	3.79/5.03m	9312097065109	17.5kg

Spare Parts

SP15-019AZ S/P Feet Kit

EXTENSION & SINGLE LADDERS





TRIPLE EXT 6/14 EXTENSION LADDER **NEW**

ALUMINIUM
LIGHTWEIGHT

INDUSTRIAL
150KG

- 150kg load rating and industrial duty
- The triple section compact design provides safe access to heights up to 5.39m but is under 2m when closed.
- The compact design makes it easier to store transport and manoeuvre indoors.
- Durable punchlock D rung construction providing superior climbing comfort.
- Convenient carry handles attached for easy, single-handed carrying
- Fits in most cars when in the closed position
- Slip resistant PVC boots also increases protection of the stile ends
- More overlapping rung positions for improved foot comfort
- Made to Australian Standards AS1892

Product No.	Description	Nominal Size	Nominal Max. Reach Height	EAN Code	Nominal Weight
FS13908	Bailey Triple Ext 6/14 150kg Ind	1.95/4.39m	5.39m	9312097063983	13.5kg

Spare Parts

SP15-015AZ Feet Kit
SP45-063AZ End Caps



PROFESSIONAL PUNCHLOCK® WITH LEVELLER EXTENSION LADDER **NEW**

ALUMINIUM
LIGHTWEIGHT

INDUSTRIAL
150KG

- Factory fitted ladder levelling system allows for safe use on uneven surfaces
- 150kg load rating and industrial duty rating make it suitable for commercial applications
- Durable punchlock D rung construction providing superior climbing comfort
- Interlocking stiles provide increased resistance to side sway and bounce providing a more secure climbing experience
- Rung wear pads provide protection and easier raising and lowering of the ladder
- 8mm kernmantle rope with a side rope and pulley system that keeps the rope away from the users feet for increased safety
- PVC boots provide superior slip resistance
- Large rung braces for increased strength
- Made to Australian Standards AS1892



Product No.	Description	Nominal Size	Nominal Max. Reach Height	EAN Code	Nominal Weight
FS13905	Pro AL Ext 10 Leveller 150kg Ind	3.18/5.01m	6.01m	9312097063952	15.4kg
FS13906	Pro AL Ext 12 Leveller 150kg Ind	3.79/6.23m	7.23m	9312097063969	19.7kg

Spare Parts

SP15-016AZ Feet Kit
SP45-063AZ End Caps
SP25-004AZ Rope Kit



PROFESSIONAL PUNCHLOCK® EXTENSION LADDER **NEW**

ALUMINIUM
LIGHTWEIGHT

INDUSTRIAL
150KG

- 150kg load rating and industrial duty rating make it suitable for commercial applications
- Durable punchlock D rung construction providing superior climbing comfort
- Interlocking stiles provide increased resistance to side sway and bounce providing a more secure climbing experience
- Rung wear pads provide protection and easier raising and lowering of the ladder
- 8mm kermantle rope with a side rope and pulley system that keeps the rope away from the users feet for increased safety
- PVC boots provide superior slip resistance
- Large rung braces for increased strength
- Made to Australian Standards AS1892
- Note: FS13897 does not feature rope and pulley



Product No.	Description	Nominal Size	Nominal Max. Reach Height	EAN Code	Nominal Weight
FS13897	Pro AL Ext 8 150kg Ind	2.57/4.09m	5.09m	9312097063877	11.5kg
FS13898	Pro AL Ext 10 150kg Ind	3.18/5.31m	6.31m	9312097063884	14.3kg
FS13899	Pro AL Ext 12 150kg Ind	3.79/6.53m	7.53m	9312097063891	18.7kg
FS13900	Pro AL Ext 14 150kg Ind	4.40/7.75m	8.75m	9312097063907	21.5kg
FS13901	Pro AL Ext 16 150kg Ind	5.04/9.00m	10.00m	9312097063914	34.5kg
FS13902	Pro AL Ext 18 150kg Ind	5.65/10.22m	11.22m	9312097063921	38.5kg
FS13903	Pro AL Ext 20 150kg Ind	6.26/11.14m	12.14m	9312097063938	42.4kg

Spare Parts

SP15-015AZ Feet Kit (for sizes: 8, 10, 12, 14)

SP15-017AZ Feet Kit (for sizes: 16, 18, 20)

SP45-063AZ End Caps (for sizes: 8, 10, 12, 14)

SP45-064AZ End Caps (for sizes: 16, 18, 20)

SP25-004AZ S/P Rope Kit



PROFESSIONAL PUNCHLOCK® FXN WITH VEE RUNG EXTENSION LADDER **NEW**

FIBREGLASS
ELECTRO-SAFE™

INDUSTRIAL
160/170KG

- 170kg load rate on sizes 8 through to 16 and 160kg on size 18
- The Punchlock top hat construction increases resistance to bounce and side sway
- Electro - Safe™ (non-conductive) fibreglass construction is a must where electrical hazards exist
- Anti-slip PVC boots for added stability
- Adjustable pulley system allows the user to configure the rope as a side or centre pull
- Factory fitted PVC coated pole strap allows the ladder to be positioned against poles and trees
- Made to Australian Standards AS1892

Product No.	Description	Nominal Size	Nominal Max. Reach Height	EAN Code	Nominal Weight
FS13909	Pro FG FXN Ext 8 170kg Ind	2.60/4.13m	5.13m	9312097063990	21.1kg
FS13910	Pro FG FXN Ext 10 170kg Ind	3.21/5.35m	6.35m	9312097064003	25.6kg
FS13911	Pro FG FXN Ext 12 170kg Ind	3.82/6.57m	7.57m	9312097064010	30.0kg
FS13912	Pro FG FXN Ext 14 170kg Ind	4.43/7.79m	8.79m	9312097064027	34.4kg
FS13913	Pro FG FXN Ext 16 170kg Ind	5.04/9.01m	10.01m	9312097064034	38.9kg
FS13914	Pro FG FXN Ext 18 160kg Ind	5.65/9.92m	10.92m	9312097064041	43.3kg

Spare Parts

SP15-017AZ Feet Kit

SP45-064AZ End Caps

SP25-005AZ Rope Kit



PROFESSIONAL PUNCHLOCK® FSXN WITH VEE RUNG EXTENSION LADDER **NEW**

FIBREGLASS
ELECTRO-SAFE™

INDUSTRIAL
140/150KG

- 150kg load rating on sizes 8 to 14 and 140kg on size 16
- The Punchlock® construction provides a durable rung to stile connection
- Interlocking stiles provide increased resistance to side sway providing a more secure climbing experience
- Anti-slip PVC boots for added stability
- Rung wear pads provide protection and easier raising and lowering of the ladder
- Factory fitted V rung allows the ladder to be safely positioned against poles and trees
- Made to Australian Standards AS1892



Product No.	Description	Nominal Size	Nominal Max. Reach Height	EAN Code	Nominal Weight
FS13917	Pro FG FSXN Ext 8 Vee 150kg Ind	2.63/4.16m	5.16m	9312097064058	19.3kg
FS13918	Pro FG FSXN Ext 10 Vee 150kg Ind	3.24/5.38m	6.38m	9312097064065	23.2kg
FS13919	Pro FG FSXN Ext 12 Vee 150kg Ind	3.85/6.60m	7.60m	9312097064072	27.1kg
FS13920	Pro FG FSXN Ext 14 Vee 150kg Ind	4.46/7.82m	8.82m	9312097064089	31.2kg
FS13921	Pro FG FSXN Ext 16 Vee 140kg Ind	5.07/9.04m	10.04m	9312097064096	35.1kg

Spare Parts

SP15-017AZ Feet Kit

SP45-064AZ End Caps

SP25-004AZ Rope Kit



PROFESSIONAL PUNCHLOCK® SINGLE LADDER **NEW**

ALUMINIUM
LIGHTWEIGHT

INDUSTRIAL
150KG

- 150kg load rating and industrial duty rating make it suitable for commercial applications
- Durable punchlock D rung construction providing superior climbing comfort
- PVC boots at the top and bottom of the ladder provide superior slip resistance
- Large rung braces for increased strength
- Extra heavy duty aluminium construction
- Made to Australian Standards AS1892



Product No.	Description	Nominal Size	Nominal Max. Reach Height	EAN Code	Nominal Weight
FS13890	Pro AL Single 7 150kg Ind	2.40m	3.40m	9312097063808	11.5kg
FS13891	Pro AL Single 9 150kg Ind	3.01m	4.01m	9312097063815	14.3kg
FS13892	Pro AL Single 11 150kg Ind	3.62m	4.62m	9312097063822	18.7kg
FS13893	Pro AL Single 13 150kg Ind	4.23m	5.23m	9312097063839	21.5kg

Spare Parts

SP15-015AZ Feet Kit

SP45-063AZ End Caps

PLATFORM STEPLADDERS





PROFESSIONAL PUNCHLOCK® PLATFORM STEPLADDER **NEW**

ALUMINIUM
LIGHTWEIGHT

INDUSTRIAL

170KG

The new Bailey Pro Punchlock® aluminium platform stepladder has a large and stable work platform to improve work site safety and efficiency

- 170kg load rating and industrial duty rating make it suitable for trade and commercial applications
- The Punchlock tread design increases torsional rigidity of the overall ladder frame
- Large 400 X 500mm platform for added safety and all day standing comfort
- 900mm handrail height from platform
- Anti-slip PVC boots for added stability
- Multi-function handrail for tool storage
- Safety gates and castors available as accessories
- Made to Australian Standards AS1892



**SAFETY GATE FS13952
NOW AVAILABLE**

Spare Parts

SP15-018AZ S/P Boot Kit AL & Ext. IND PFS

Product No.	Description	Nominal Platform Height	Nominal Max. Reach Height	EAN Code	Nominal Weight
FS13931	Pro AL Platform Ladder 2	0.57m	2.57m	9312097064133	8.8kg
FS13932	Pro AL Platform Ladder 3	0.85m	2.86m	9312097064140	10.0kg
FS13933	Pro AL Platform Ladder 4	1.13m	3.14m	9312097064157	11.1kg
FS13934	Pro AL Platform Ladder 5	1.42m	3.43m	9312097064164	12.3kg
FS13935	Pro AL Platform Ladder 6	1.70m	3.71m	9312097064171	14.0kg
FS13936	Pro AL Platform Ladder 7	1.99m	4.00m	9312097064188	19.5kg
FS13937	Pro AL Platform Ladder 8	2.27m	4.28m	9312097064195	21.0kg

Accessories

FS13991	Castor / Wheel Kit (White Spring) Fits 2-5 step	-	-	9312097021419	2.5kg
FS13992	Castor / Wheel Kit (Yellow Spring) Fits 6-7 step	-	-	9312097021426	2.5kg
FS13993	Castor / Wheel Kit (Green Spring) Fits 8 step	-	-	9312097065161	3.3kg
FS13952	Safety Gate Kit (Pro AL, Pro FG, P150 AL, P150 FG)	-	-	9312097060036	2.7kg

Note: Platform height is approximate vertical height to platform from the ground



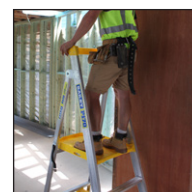
P170 JOB STATION PLATFORM STEPLADDER

ALUMINIUM
LIGHTWEIGHT

INDUSTRIAL

170KG

- Huge platform area (610 x 457mm) adds comfort and stability
- New 'trapezoidal tread design' provides an incredibly strong tread to stile joint
- Fully reinforced polypropylene platform with metal inserts for maximum strength
- Checker plate 'deck pattern' provides an anti-slip standing area
- Extra strong, heavy duty aluminium construction for superior durability
- Large anti-slip feet for maximum stability and durability
- Convenient carry handle allows for easy transport
- Swivel castors for improved mobility
- Fully integrated bracing and castor system - patented industry leading design
- Made to Australian Standards AS1892



Castors Included

**P170 SAFETY GATE FS13648
NOW AVAILABLE**

Spare Parts

SP15-005AZ S/P Feet Kit

SP30-001AZ S/P Castor Kit

Product No.	Description	Nominal Platform Height	Nominal Max. Reach Height	EAN Code	Nominal Weight
FS13538	AL P170 3 Job Station	0.9m	2.87m	9312097058620	16.9kg
FS13539	AL P170 4 Job Station	1.2m	3.16m	9312097058637	18.4kg
FS13540	AL P170 5 Job Station	1.5m	3.45m	9312097058644	19.9kg
FS13541	AL P170 6 Job Station	1.8m	3.74m	9312097058651	21.9kg
FS13542	AL P170 7 Job Station	2.03m	4.03m	9312097058668	27.4kg
FS13543	AL P170 8 Job Station	2.32m	4.32m	9312097058675	28.4kg
FS13544	AL P170 10 Job Station	2.91m	4.91m	9312097058682	33.2kg
FS13545	AL P170 12 Job Station	3.49m	5.49m	9312097058699	37.6kg

Accessories

FS13954	Safety Gate Kit (P170 AL & P170 FG)	-	-	9312097064362	2.4kg
---------	-------------------------------------	---	---	---------------	-------



**SCAN TO VIEW
SAFETY GATE
DEMO VIDEO**



P150 PLATFORM STEPLADDER

ALUMINIUM LIGHTWEIGHT / **INDUSTRIAL** / **150KG**

- Lightweight and highly portable - Up to 25% lighter than competitive products
- Fully functional 'magnetised' section on handrail secures tools and fasteners
- Large standing area (508 x 416mm) adds comfort and stability
- 150kg load rating
- Industrial Duty Rating
- Checker plate 'deck pattern' provides an anti-slip standing area
- Extra strong, heavy duty aluminium construction for superior durability
- Large anti-slip feet for maximum stability and durability
- tSwivel castors for improved mobility and improved productivity (available as an accessory)
- Made to Australian Standards AS1892

P150 SAFETY GATE FS13647
NOW AVAILABLE

Spare Parts
SP15-004AZ S/P Feet Kit

Product No.	Description	Nominal Platform Height	Nominal Max. Reach Height	EAN Code	Nominal Weight
FS13580	AL P150 3 150kg	0.9m	2.9m	9312097059191	11kg
FS13581	AL P150 4 150kg	1.2m	3.2m	9312097059207	12.5kg
FS13582	AL P150 5 150kg	1.5m	3.5m	9312097059214	13.9kg
FS13583	AL P150 6 150kg	1.8m	3.8m	9312097059221	15.8kg
Accessories					
FS13584	Castor Kit	-	-	9312097059238	3.5kg
FS13952	Safety Gate Kit (Pro AL, Pro FG, P150 AL, P150 FG)			9312097064348	2.6kg



RETAIL/ OFFICE PLATFORM STEPLADDER

ALUMINIUM LIGHTWEIGHT / **INDUSTRIAL** / **120KG**

- Large 300mm deep and 250mm wide platform provides a comfortable work position
- Multi-function flip top handrail
- Anti-slip PVC boots for added stability
- Trapezoidal tread profile for strength and durability
- 115mm deep when closed makes it easy to store when not in use
- Available in three sizes with platform heights ranging from 570mm to 1130mm providing a reach height from 2.6m to 3.1m
- 120kg load rating and industrial duty rating



RPFS top cap



Product No.	Description	Nominal Platform Height	Nominal Max. Reach Height	EAN Code	Nominal Weight
FS13868	Retail Platform Stepladder 2	0.57m	2.6m	9312097063068	4.5kg
FS13869	Retail Platform Stepladder 3	0.85m	2.9m	9312097063075	5.6kg
FS13870	Retail Platform Stepladder 4	1.13m	3.1m	9312097063082	6.9kg



PROFESSIONAL PUNCHLOCK® PLATFORM STEPLADDER **NEW**

FIBREGLASS
ELECTRO-SAFE™

INDUSTRIAL

170KG

The new Bailey Pro Punchlock® fibreglass platform stepladder has a large and stable work platform to improve work site safety and efficiency

- 170kg load rating and industrial duty rating make it suitable for trade and commercial applications
- The Punchlock tread design increases torsional rigidity of the overall ladder frame
- Large 400 X 500mm platform for added safety and all day standing comfort
- 900mm handrail height from platform
- Electro-safe™ fibreglass design makes it suitable to use where an electrical hazard exists
- Anti-slip PVC boots for added stability
- Multi-function handrail for tool storage
- Safety gates and castors available as accessories
- Made to Australian Standards AS1892

**SAFETY GATE FS13952
NOW AVAILABLE**

Spare Parts/Accessories

SP15-019AZ S/P Boot Kit FG PGS & FSE

Product No.	Description	Nominal Platform Height	Nominal Max. Reach Height	EAN Code	Nominal Weight
FS13945	Pro FG Platform Ladder 2	0.57m	2.57m	9312097064270	11.4kg
FS13946	Pro FG Platform Ladder 3	0.86m	2.86m	9312097064287	13.1kg
FS13947	Pro FG Platform Ladder 4	1.14m	3.14m	9312097064294	14.8kg
FS13948	Pro FG Platform Ladder 5	1.43m	3.43m	9312097064300	16.5kg
FS13949	Pro FG Platform Ladder 6	1.71m	3.71m	9312097064317	18.7kg
FS13950	Pro FG Platform Ladder 7	2.00m	4.00m	9312097064324	24.8kg
FS13951	Pro FG Platform Ladder 8	2.28m	4.28m	9312097064331	26.8kg
Accessories				EAN Code	
FS13991	Castor / Wheel Kit (White Spring) Fits 2-3 step	-	-	9312097021419	2.5kg
FS13992	Castor / Wheel Kit (Yellow Spring) Fits 4-6 step	-	-	9312097021426	2.5kg
FS13993	Castor / Wheel Kit (Green Spring) Fits 7-8 step	-	-	9312097065161	3.3kg
FS13952	Safety Gate Kit (Pro AL, Pro FG, P150 AL, P150 FG)	-	-	9312097060036	2.7kg

Note: Platform height is approximate vertical height to platform from the ground



P170 JOB STATION PLATFORM STEPLADDER

FIBREGLASS
ELECTRO-SAFE™

INDUSTRIAL

170KG

- Huge platform area (610 x 457mm) adds comfort and stability
- New 'trapezoidal tread design' provides an incredibly strong tread to stile joint
- Multi-function handrail with optional 'DropLok' accessories converts a handrail into a Job Station (15kg capacity)
- Fully reinforced polypropylene platform with metal inserts for maximum strength
- Electro - Safe™ (non-conductive)
- Checker plate 'deck pattern' provides an anti-slip standing area
- Extra strong, heavy duty fibreglass construction for superior durability
- Large anti-slip feet for maximum stability and durability
- Convenient carry handle allows for easy transport for improved mobility and improved productivity
- Fully integrated bracing and castor system - patented industry leading design
- Made to Australian Standards AS1892



Carry Handle

Product No.	Description	Nominal Platform Height	Nominal Max. Reach Height	EAN Code	Nominal Weight
FS13530	FG P170 3 Job Station	0.9m	2.9m	9312097058545	17.9kg
FS13531	FG P170 4 Job Station	1.2m	3.2m	9312097058552	19.5kg
FS13532	FG P170 5 Job Station	1.5m	3.5m	9312097058569	21.2kg
FS13533	FG P170 6 Job Station	1.8m	3.8m	9312097058576	23.4kg
FS13534	FG P170 7 Job Station	2.03m	4.03m	9312097058583	29kg
FS13535	FG P170 8 Job Station	2.32m	4.32m	9312097058590	30.3kg
FS13536	FG P170 10 Job Station	2.91m	4.91m	9312097058606	35.3kg
FS13537	FG P170 12 Job Station	3.49m	5.49m	9312097058613	40.1kg
Accessories					
FS13954	Safety Gate Kit (P170 AL & P170 FG)	-	-	9312097064362	2.4kg



**SCAN TO VIEW
P170 VIDEO**

Spare Parts

SP15-005AZ S/P Feet Kit

SP30-001AZ S/P Castor Kit



P150 PLATFORM STEPLADDER

FIBREGLASS ELECTRO-SAFE™ **INDUSTRIAL** **150KG**

- Lightweight and highly portable – Up to 25% lighter than competitive products
- Fully functional ‘magnetised’ handrail secures tools and fasteners
- Electro – Safe™ (non-conductive)
- Large standing area (508 x 416mm) adds comfort and stability
- 150kg load rating
- Checker plate ‘deck pattern’ provides an anti-slip standing area
- Heavy duty fibreglass construction for superior durability
- Large anti-slip feet for maximum stability and durability
- Swivel castors for improved mobility and improved productivity (available as an accessory)
- Made to Australian Standards AS1892



Spare Parts

SP15-009AZ S/P Feet Kit

Product No.	Description	Nominal Platform Height	Nominal Max. Reach Height	EAN Code	Nominal Weight
FS13576	HD FG P150 3 150kg	0.9m	2.9m	9312097059153	12.1kg
FS13577	HD FG P150 4 150kg	1.2m	3.2m	9312097059160	13.8kg
FS13578	HD FG P150 5 150kg	1.5m	3.5m	9312097059177	15.4kg
FS13579	HD FG P150 6 150kg	1.8m	3.8m	9312097059184	17.5kg
Accessories					
FS13584	Castor Kit	-	-	9312097059238	3.5kg
FS13952	Safety Gate Kit (Pro AL, Pro FG, P150 AL, P150 FG)			9312097064348	2.7kg



SAFETY GATE FOR PLATFORM STEPLADDERS

- Fully surrounds the user
- Improves safety on platform stepladders
- Maintains a safe working zone
- Folds down for easy access
- Folds away with ladder
- Quick and easy to fit
- Simple to use
- Ladder still fits on roof racks
- Safety gates will fit previous models of platform stepladders



Product No.	Description	EAN Code	Nominal Weight
FS13952	Safety Gate Kit (Pro AL, Pro FG, P150 AL, P150 FG)	9312097064348	2.7kg
FS13953	Safety Gate Kit (Ext Industry & Ladderweld)	9312097064355	2.6kg
FS13954	Safety Gate Kit (P170 AL & P170 FG)	9312097064362	2.4kg

ACCESSORIES FOR PLATFORM STEPLADDERS

Product No.	Description	EAN Code	Nominal Weight
FS13991	Castor / Wheel Kit (White Spring) – Fits 2-3 step	9312097065147	3.3kg
FS13992	Castor / Wheel Kit (Yellow Spring) – Fits 4-6 step	9312097065154	3.3kg
FS13993	Castor / Wheel Kit (Green Spring) – Fits 7-8 step	9312097065161	3.3kg
FS13952	Safety Gate Kit	9312097064348	2.6kg

SAFETY STEPS



SAFETY STEPS

ALUMINIUM
LIGHTWEIGHT

INDUSTRIAL

150KG

Bailey's NEW Safety Step provides stair like access and is ultra compact when folded and not in use

- Light weight aluminium construction
- Slim profile for easy storage when not in use
- Wide and deep treads with anti-slip rubber insert for safety and stability
- Racked front frame for stair-like access
- Strong 150kg load rating
- Folding handrail comes as standard
- Made to the Australian Standard AS1892



Product No.	Description	Size	Maximum Reach Height	EAN Code	Weight
FS13750	Stairway Ladder 2 Step with Safety Rail 150kg Ind	0.45m	2.45m	9312097061842	6.6kg
FS13751	Stairway Ladder 3 Step with Safety Rail 150kg Ind	0.67m	2.67m	9312097061859	8.6kg
FS13752	Stairway Ladder 4 Step with Safety Rail 150kg Ind	0.89m	2.89m	9312097061866	10.6kg
FS13753	Stairway Ladder 5 Step with Safety Rail 150kg Ind	1.11m	3.11m	9312097061873	12.7kg

ATTIC LADDERS



ATTIC LADDER

ALUMINIUM
LIGHTWEIGHT

DOMESTIC

170KG

- Designed for domestic applications
- Strong and stable aluminium construction
- Standard ceilings (2.34–3.12m) 170kg Domestic duty rating
- Gas struts provide easy and quiet opening
- Handrail included for additional comfort when climbing
- Wide opening for easy access
- Simple and easy to install



Product No.	Description	Nominal Size	Nominal Opening Dimensions	EAN Code	Nominal Weight
FS13560	AL Attic Ladder 170kg	2.34m — 3.12m	570 x 1370mm approx.	9312097058842	22.0kg



ORDER PICKERS & ACCESS PLATFORMS



Note: Access Platform FS13591 shown



- Safety gate now a standard inclusion
- Supplied in flat pack assembly with detailed assembly instructions.

ORDER PICKING PLATFORMS

TEMPORARY WORK PLATFORM

ALUMINIUM LIGHTWEIGHT **INDUSTRIAL** **150KG**



- Industrial Duty Rated order picking ladder designed for use on commercial sites and warehouses
- 150kg load rating
- Light, strong aluminium construction with heavy duty stiles and tread
- Safety gate included as standard
- Rear Tilt-N-Go castors
- Large 600 X 500mm platform
- Box section back legs provide greater strength and rigidity
- Ideal for stock picking or industrial applications
- Spring loaded castors for ease of manoeuvrability
- Supplied flat packed with the tools required for assembly
- Made to Australian Standards AS1892

Product No.	Description	Nominal Platform Height	Nominal Max. Reach Height	EAN Code	Nominal Weight
FS13873	Order Picking Platform 2 MK3	0.55m	2.55m	9312097063112	20.0kg
FS13874	Order Picking Platform 3 MK3	0.82m	2.82m	9312097063129	22.1kg
FS13875	Order Picking Platform 4 MK3	1.10m	3.10m	9312097063136	24.0kg
FS13876	Order Picking Platform 5 MK3	1.38m	3.38m	9312097063143	25.9kg
FS13877	Order Picking Platform 6 MK3	1.65m	3.65m	9312097063150	28.5kg
FS13878	Order Picking Platform 7 MK3	1.93m	3.93m	9312097063167	30.5kg
FS13879	Order Picking Platform 8 MK3	2.20m	4.20m	9312097063174	32.7kg



LADDERWELD ACCESS PLATFORM

TEMPORARY WORK PLATFORM

ALUMINIUM LIGHTWEIGHT **INDUSTRIAL** **200KG**



- Super strong 'fully welded' design fabricated from heavy duty aluminium
- 100mm deep treads improve safety and comfort when climbing
- 'Walk thru' design for stock picking and access to mezzanine floors, vehicle access and warehousing
- Large 125mm wheels - improved portability and 'easy glide' action
- Large stable work platform (safe and stable) - 590mm x 800mm
- Manually operated braking system with high-vis powder coated activation arm helps minimize unauthorised access
- Toe board on three sides (helps secure tools/ accessories)
- Shelf included
- 200kg load rating
- Industrial duty rating for use on commercial sites
- Meets OH&S requirements (safety gate + 900mm handrail, toe board)
- Made to Australian Standards AS1892



Product Code	Description	Nominal Platform Height	Nominal Max. Reach Height	EAN Code	Nominal Fully Open Dimensions (WxD mm)	Nominal Weight
FS13591	Access Platform 3	828mm	2.8m	9312097059436	724 x 1168	38.1kg
FS13592	Access Platform 4	1104mm	3.1m	9312097059443	764 x 1309	40.6kg
FS13593	Access Platform 5	1381mm	3.4m	9312097059450	804 x 1451	43kg
FS13594	Access Platform 6	1656mm	3.7m	9312097059467	844 x 1592	46kg
FS13595	Access Platform 7	1933mm	3.9m	9312097059474	884 x 1733	48.5kg
FS13596	Access Platform 8	2209mm	4.2m	9312097059481	924 x 1875	51kg
FS13597	Access Platform 10	2761mm	4.8m	9312097059498	1003 x 2157	62kg
FS13598	Access Platform 12	3313mm	5.3m	9312097059504	1083 x 2440	69kg
FS13599	Access Platform 14	3866mm	5.9m	9312097059511	1164 x 2723	76.4kg

Spare Parts

Please refer to pages 32-33 of this product guide.

MODULAR ACCESS/ PLATFORM SYSTEMS



1m Bridge Configuration

MODULAR ACCESS/ PLATFORM SYSTEMS

ALUMINIUM
LIGHTWEIGHT

INDUSTRIAL

200KG

Introducing the brand new Modular Access System that will revolutionise safe access to heights when used in conjunction with the Bailey Access Platforms. The modular components allow you to design and build an access platform that is customised to your needs.



2m Bridge Configuration



- Modular system allows for unlimited types of configuration
- Fully welded frames and platforms with integrated toe boards
- Hand rails can be easily removed /repositioned to allow clear access to the work space
- 600mm wide platforms for a safe work zone
- Strong 200kg load rating per bay
- Industrial duty - safe to use on a work site
- Lockable castors allow easy repositioning of the system
- Made to the Australian Standard AS1892



SCAN TO VIEW
MAS VIDEO



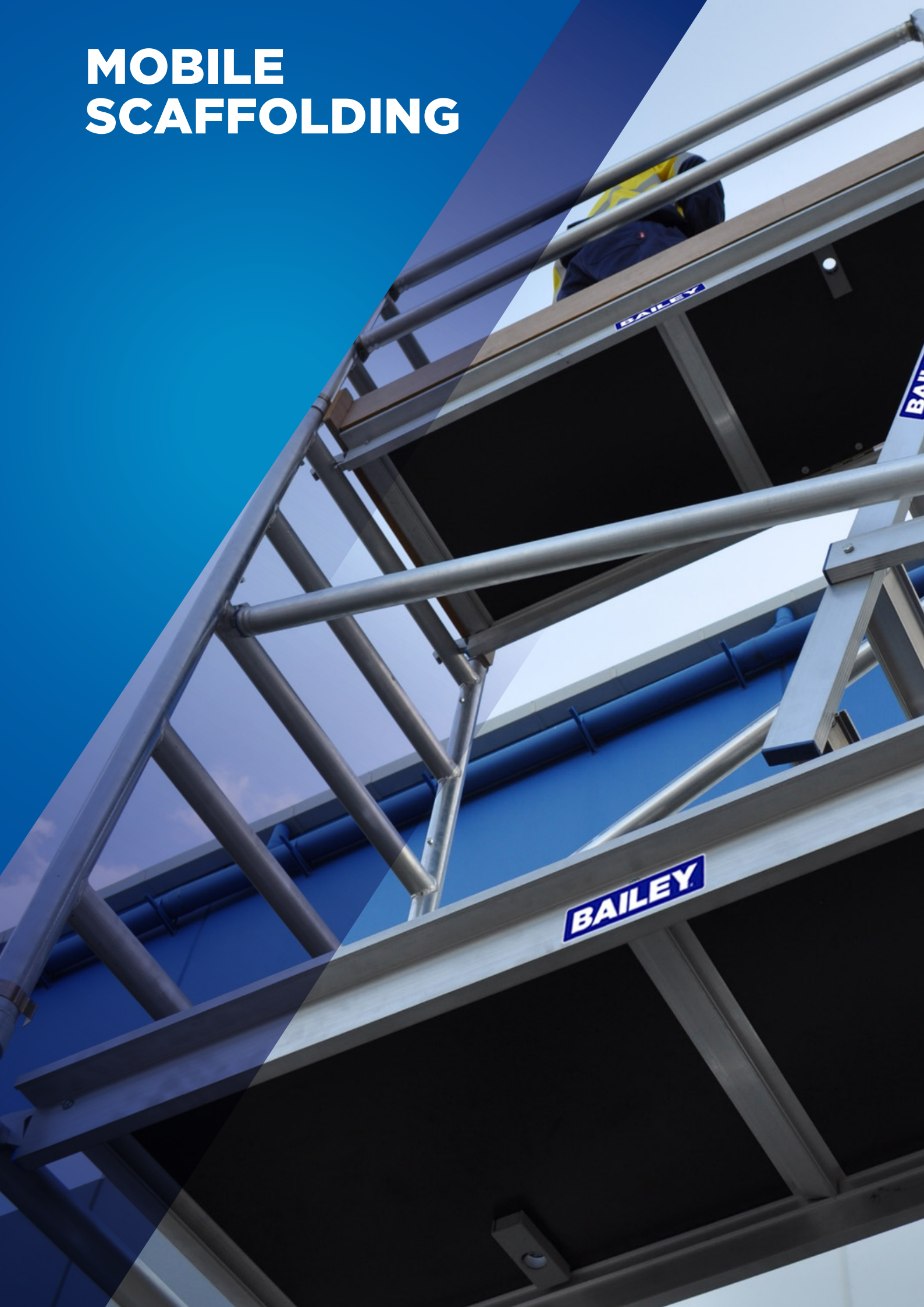
SCAN TO VIEW
ASSEMBLY
VIDEO



Combination variable height
1m & 2m Bridge Configuration

Product No.	Description	Size	Nominal Max. Reach Height	EAN Code	Nominal Weight
FS13789	Modular Access System 1.0m Platform	1.0 m	N/A	9312097062238	16.5kg
FS13790	Modular Access System 2.0m Platform	2.0 m	N/A	9312097062245	31.0kg
FS13791	Modular Access System 3 Step Upright	0.83m	2.8m	9312097062252	7.9kg
FS13792	Modular Access System 4 Step Upright	1.10 m	3.1m	9312097062269	8.5kg
FS13793	Modular Access System 5 Step Upright	1.38m	3.4m	9312097062276	9.2kg
FS13794	Modular Access System 6 Step Upright	1.65m	3.6m	9312097062283	10.0kg
FS13855	New! Modular Access System Plus Platform	-	-	9312097062900	20.4kg
FS13856	New! Modular Access System Joiner Platform	-	-	9312097062917	8.6kg
FS13857	New! Modular Access System Plus Platform - Spreader	-	-	9312097062924	2.0kg

MOBILE SCAFFOLDING





- Tested and manufactured to AS/NZS 1576 Part 1 : 2010 and AS/NZS 1576 Part 3 : 2015
- 225kg Working Load Limit
- Lightweight aluminium construction
- Fully welded construction
- Highly portable (fits in most cars)
- DIY erection (no specialist assembly for working heights < 4 metres)
- Multiple safety features
- Full set of components increases reach height up to 5.4 metres
- Full set of spares available
- Wide, non-slip platform for working safely at heights
- Lockable 150mm industrial castors
- Exterior grade plywood platform with self-locking trapdoor
- Platform supported by aluminium sub-frame
- Wind lock prevents accidental uplift
- Adjustable height leg/ castors available as an accessory

SELECT THE RIGHT SCAFFOLD CONFIGURATION

PLATFORM HEIGHT	REACH HEIGHT*	BASE PACK FS13672	EXTENSION PACK FS13673	GUARD RAIL FS13674	TOEBOARD FS13676	LADDER FS13678	OUTRIGGER FS13677	HORIZONTAL BRACING FS13681	EXPANSION PACK FS13675
1.5m	3.5m	1		OPTIONAL	OPTIONAL		OPTIONAL		AVAILABLE
2.3m	4.3m	1	1		1	1	2	2	AVAILABLE
3.4m	5.4m	1	1	1	1	1	2		AVAILABLE

*Assumes a 1.70m person with a vertical 0.30m reach



CONFIGURATION 1A
PLATFORM HEIGHT 1.5m
Base Pack



CONFIGURATION 1B
PLATFORM HEIGHT 1.5m
Base Pack +
Guard Rail Pack



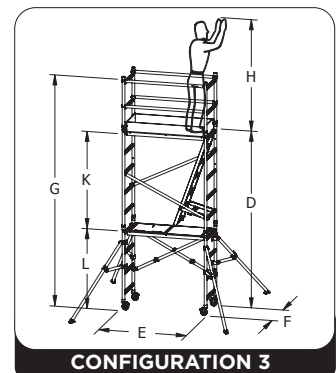
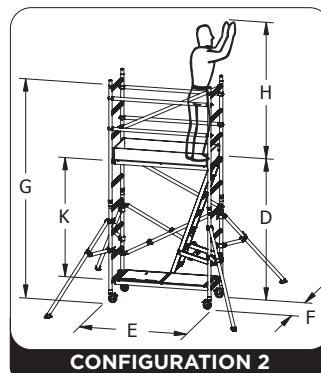
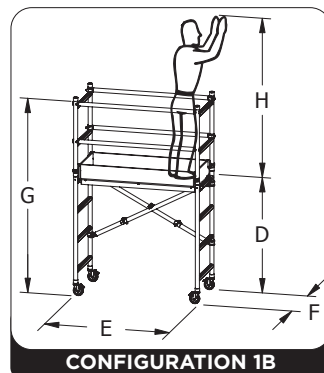
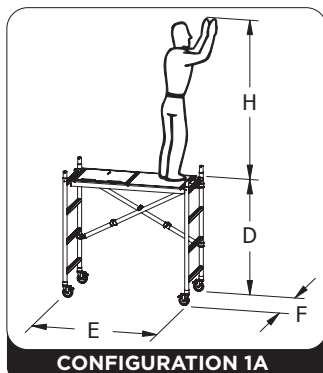
CONFIGURATION 2
PLATFORM HEIGHT 2.3m
Base Pack +
Extension Pack +
Ladder +
Horizontal Bracing +
Toe Boards +
Outrigger Pack



CONFIGURATION 3
PLATFORM HEIGHT 3.4m
Base Pack +
Extension Pack +
Guard Rail Pack +
Ladder +
Toe Boards +
Outrigger Pack



CONFIGURATION 4
PLATFORM HEIGHT 3.4m
Base Pack (2) +
Extension Pack (2) +
Guard Rail Pack (2) +
Ladder +
Toe Boards +
Expansion Pack

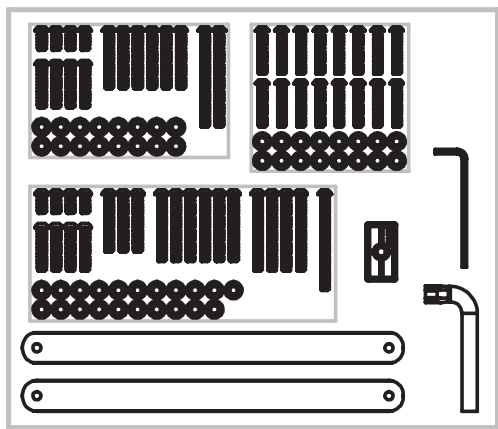



Configuration	Pack Requirements	D (mm)	E (mm)	F (mm)	G (mm)	H (mm)	K (mm)	L (mm)
1A	Base Pack	1500	1623	752	N/A	3500	N/A	N/A
1B	Base + Guardrail Packs	1500	1623	752	2500	3500	N/A	N/A
2	Base Pack + Extension Pack + Ladder + Horizontal Bracing + Toe Boards + Outrigger Pack	2300	1623	752	3300	4300	1910	N/A
3	Base Pack + Extension Pack + Guard Rail Pack + Ladder + Toe Boards + Outrigger Pack	3400	1623	752	4400	5400	1910	1500




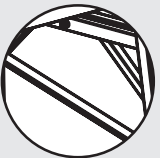
LADDERWELD ACCESS PLATFORM

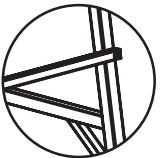
TEMPORARY WORK PLATFORM
SPARE PARTS DIAGRAM

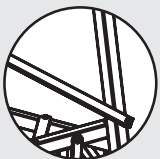



A  **Shelf**
SP45-004AZ


B  **Rear Panel**
SP45-008AZ


C  **Top Diagonal Braces (x2)**
SP45-009AZ

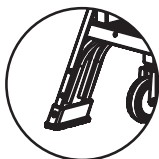
D  **Horizontal Braces (x2)**
(Access Platform 10-14)
SP45-010AZ


E  **Bottom Diagonal Braces (x2)**
(Access Platform 10-14)
SP45-011AZ

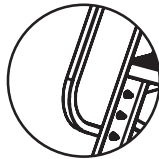
F  **Plan Braces (x2)**
SP45-012AZ


G  **Wheel System**
(RHS & LHS)
Access Plat. 3 SP45-013AZ
Access Plat. 4 SP45-014AZ
Access Plat. 5 SP45-015AZ
Access Plat. 6 SP45-016AZ
Access Plat. 7 SP45-017AZ
Access Plat. 8 SP45-018AZ
Access Plat. 10 SP45-019AZ
Access Plat. 12 SP45-020AZ
Access Plat. 14 SP45-021AZ

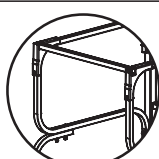
H  **Castors (x4)**
SP45-031AZ


I  **Feet (Front & Rear)**
SP45-032AZ

J  **Handle and Handlevers**
Access Plat. 3 SP45-022AZ
Access Plat. 4 SP45-023AZ
Access Plat. 5 SP45-024AZ
Access Plat. 6 SP45-025AZ
Access Plat. 7 SP45-026AZ
Access Plat. 8 SP45-027AZ
Access Plat. 10 SP45-028AZ
Access Plat. 12 SP45-029AZ
Access Plat. 14 SP45-030AZ

K  **Lower Handrails (x2)**
(Access Platform 10-14)
SP45-007AZ

L  **Lower Handrails (x2)**
(Access Platform 10-14)
SP45-007AZ

M  **RH Top Handrail
LH Top Handrail
Safety Gates (x2)**
SP45-005AZ

N  **Component Kit**
SP45-03AZ

Item Number	Product Description	Page No.
FSI3985	Pro FG FSE6 150kg Ind Punchlock* (1.8m/3.2m)	15
FSI3986	Pro FG FSE7 150kg Ind Punchlock* (2.1m/3.8m)	15
FSI3987	Pro FG FSE8 150kg Ind Punchlock* (2.4m/4.1m)	15
FSI3977	Pro FG Double Sided 3	10
FSI3978	Pro FG Double Sided 4	10
FSI3980	Pro FG Double Sided 6	10
FSI3981	Pro FG Double Sided 7	10
FSI3982	Pro FG Double Sided 8	10
FSI3983	Pro FG Double Sided 10	10
FSI3984	Pro FG Double Sided 12	10
FSI3972	Pro FG Single Sided 6 150kg	8
FSI3973	Pro FG Single Sided 7 150kg	8
FSI3974	Pro FG Single Sided 8 150kg	8
FSI3975	Pro FG Single Sided 10 150kg	8
FSI3976	Pro FG Single Sided 12 150kg	8
FSI3945	Pro FG Platform Ladder 2	23
FSI3946	Pro FG Platform Ladder 3	23
FSI3947	Pro FG Platform Ladder 4	23
FSI3948	Pro FG Platform Ladder 5	23
FSI3949	Pro FG Platform Ladder 6	23
FSI3950	Pro FG Platform Ladder 7	23
FSI3951	Pro FG Platform Ladder 8	23
FSI3873	AL Order Picking Platform 2 MK3 150kg IND Ladderweld (Platform Height: 0.55m)	28
FSI3874	AL Order Picking Platform 3 MK3 150kg IND Ladderweld (Platform Height: 0.82m)	28
FSI3875	AL Order Picking Platform 4 MK3 150kg IND Ladderweld (Platform Height: 1.10m)	28
FSI3876	AL Order Picking Platform 5 MK3 150kg IND Ladderweld (Platform Height: 1.38m)	28
FSI3877	AL Order Picking Platform 6 MK3 150kg IND Ladderweld (Platform Height: 1.65m)	28
FSI3878	AL Order Picking Platform 7 MK3 150kg IND Ladderweld (Platform Height: 1.93m)	28
FSI3878	AL Order Picking Platform 8 MK3 150kg IND Ladderweld (Platform Height: 2.20m)	28
FSI3957	Pro AL Single Sided 6 150kg	8
FSI3959	Pro AL Single Sided 8 150kg	8
FSI3960	Pro AL Double Sided 3 150kg	10
FSI3961	Pro AL Double Sided 4 150kg	10
FSI3963	Pro AL Double Sided 6 150kg	10
FSI3965	Pro AL Double Sided 8 150kg	10
FSI3966	Pro AL Doube Sided Big Top 3 150kg	9
FSI3967	Pro AL Doube Sided Big Top 4 150kg	9
FSI3988	Pro AL DP6 150kg Ind Punchlock* - 1.8m/3.2m	14
FSI3989	Pro AL DP7 150kg Ind Punchlock* - 2.1m/3.8m	14
FSI3990	Pro AL DP8 150kg Ind Punchlock* - 2.4m/4.4m	14
FSI3931	Pro AL Platform Ladder 2	21
FSI3932	Pro AL Platform Ladder 3	21
FSI3933	Pro AL Platform Ladder 4	21
FSI3934	Pro AL Platform Ladder 5	21
FSI3935	Pro AL Platform Ladder 6	21
FSI3428	Trade AL DS3 150kg Ind Riveted - 0.9m	9
FSI3429	Trade AL DS4 150kg Ind Riveted - 1.2m	9
FSI3430	Trade AL DS6 150kg Ind Riveted - 1.8m	9
FSI3431	Trade AL DS8 150kg Ind Riveted - 2.4m	9
FSI3432	Trade AL DP6 150kg Ind Riveted - 1.8m/3.2m	14
FSI3433	Trade AL DP7 150kg Ind Riveted - 2.1m/3.8m	14
FSI3434	Trade AL DP8 150kg Ind Riveted - 2.4m/4.4m	14
FSI3530	FG P170-3 170kg Ind Job Station	23
FSI3531	FG P170-4 170kg Ind Job Station	23
FSI3532	FG P170-5 170kg Ind Job Station	23
FSI3533	FG P170-6 170kg Ind Job Station	23
FSI3534	FG P170-7 170kg Ind Job Station	23
FSI3535	FG P170-8 170kg Ind Job Station	23
FSI3536	FG P170-10 170kg Ind Job Station	23
FSI3537	FG P170-12 170kg Ind Job Station	23
FSI3538	AL P170-3 170kg Ind Job Station	21
FSI3539	AL P170-4 170kg Ind Job Station	21
FSI3540	AL P170-5 170kg Ind Job Station	21
FSI3541	AL P170-6 170kg Ind Job Station	21
FSI3542	AL P170-7 170kg Ind Job Station	21
FSI3543	AL P170-8 170kg Ind Job Station	21
FSI3544	AL P170-10 170kg Ind Job Station	21
FSI3545	AL P170-12 170kg Ind Job Station	21

Item Number	Product Description	Page No.
FSI3908	Bailey Triple Ext 6/14 150kg Ind	17
FSI3560	Dom 170kg Aluminium Folding Attic Ladder - (2.34m/3.12m)	26
FSI3576	HD FG P150-3 150kg Ind Riveted	24
FSI3577	HD FG P150-4 150kg Ind Riveted	24
FSI3578	HD FG P150-5 150kg Ind Riveted	24
FSI3579	HD FG P150-6 150kg Ind Riveted	24
FSI3580	HD AL P150-3 150kg Ind Riveted	22
FSI3581	HD AL P150-4 150kg Ind Riveted	22
FSI3582	HD AL P150-5 150kg Ind Riveted	22
FSI3583	HD AL P150-6 150kg Ind Riveted	22
FSI3584	Castor Kit - P150	22
FSI3936	Pro AL Platform Ladder 7	21
FSI3937	Pro AL Platform Ladder 8	21
FSI3591	Access Platform 3 170kg Ind (Platform Height 828mm)	28
FSI3592	Access Platform 4 170kg Ind (Platform Height 1104mm)	28
FSI3593	Access Platform 5 170kg Ind (Platform Height 1381mm)	28
FSI3594	Access Platform 6 170kg Ind (Platform Height 1656mm)	28
FSI3595	Access Platform 7 170kg Ind (Platform Height 1933mm)	28
FSI3596	Access Platform 8 170kg Ind (Platform Height 2209mm)	28
FSI3597	Access Platform 10 170kg Ind (Platform Height 2761mm)	28
FSI3598	Access Platform 12 170kg Ind (Platform Height 3313mm)	28
FSI3599	Access Platform 14 170kg Ind (Platform Height 3866mm)	28
FSI3890	Pro AL Single 7 150kg Ind Punchlock®	19
FSI3891	Pro AL Single 9 150kg Ind Punchlock®	19
FSI3892	Pro AL Single 11 150kg Ind Punchlock®	19
FSI3893	Pro AL Single 13 150kg Ind Punchlock®	19
FSI3897	Pro AL Ext 8 150kg Ind Punchlock®	18
FSI3898	Pro AL Ext 10 150kg Ind Punchlock®	18
FSI3899	Pro AL Ext 12 150kg Ind Punchlock®	18
FSI3900	Pro AL Ext 14 150kg Ind Punchlock®	18
FSI3901	Pro AL Ext 16 150kg Ind Punchlock®	18
FSI3902	Pro AL Ext 18 150kg Ind Punchlock®	18
FSI3903	Pro AL Ext 20 150kg Ind Punchlock®	18
FSI3905	Pro AL Ext 10 Leveller 150kg Ind Punchlock®	17
FSI3906	Pro AL Ext 12 Leveller 150kg Ind Punchlock®	17
FSI3644	BXS20 2.3m/4.5m (7'6"/14'8") - 135kg	11
FSI3647	PFS Narrow Safety Gate Kit (suits Bailey Pro-Punchlock & P150 models)	24
FSI3648	PFS Wide Safety Gate Kit (suits Bailey P170 models)	24
FSI3668	HD FG DP6 with V Rung 150kg Riveted - 1.8m/3.2m	15
FSI3669	HD FG DP7 with V Rung 150kg Riveted - 2.1m/3.8m	15
FSI3670	HD FG DP8 with V Rung 150kg Riveted - 2.4m/4.4m	15
FSI3672	SUPA-LITE AL Scaffold System - Base Pack	31
FSI3673	SUPA-LITE AL Scaffold System - Extension Pack	31
FSI3674	SUPA-LITE AL Scaffold System - Guardrail Pack	31
FSI3675	SUPA-LITE AL Scaffold System - Expansion Pack	31
FSI3676	SUPA-LITE AL Scaffold System - Toe Board Pack	31
FSI3677	SUPA-LITE AL Scaffold System - Outrigger Pack (X2)	31
FSI3678	SUPA-LITE AL Scaffold System - Ladder	31
FSI3679	SUPA-LITE AL Scaffold System - Adjustable Legs (X2)	31
FSI3680	SUPA-LITE AL Scaffold System - Spigot Pack (X4)	31
FSI3681	SUPA-LITE AL Scaffold System - Horizontal Brace (X2)	31
FSI3682	SUPA-LITE AL Scaffold System - Diagonal Brace (X2)	31
FSI3683	SUPA-LITE AL Scaffold System - Platform (X1)	31
FSI3750	Stairway Ladder 2 Step with Safety Rail 150kg Ind	25
FSI3751	Stairway Ladder 3 Step with Safety Rail 150kg Ind	25
FSI3752	Stairway Ladder 4 Step with Safety Rail 150kg Ind	25
FSI3753	Stairway Ladder 5 Step with Safety Rail 150kg Ind	25
FSI3789	Modular Access System 1.0m Platform	29
FSI3790	Modular Access System 2.0m Platform	29
FSI3791	Modular Access System 3 Step Upright	29
FSI3792	Modular Access System 4 Step Upright	29
FSI3793	Modular Access System 5 Step Upright	29
FSI3794	Modular Access System 6 Step Upright	29
FSI3855	Modular Access System Plus Platform	29
FSI3856	Modular Access System Joiner Platform	29
FSI3857	Modular Access System Plus Platform Spreader	29
FSI3862	AL-SLS 3 IN 1 (6/9 Step) 1.8m 150kg Ind	12
FSI3863	AL-SLS 3 IN 1 (7/11 Step) 2.1m 150kg Ind	12

Item Number	Product Description	Page No.
FS13864	AL-SLS 3 IN 1 (8/14 Step) 2.4m 150kg Ind	12
FS13884	FG-SLS 3 IN 1 (6/9 Step) 1.8m 150kg Ind	12
FS13885	FG-SLS 3 IN 1 (7/11 Step) 2.1m 150kg Ind	12
FS13886	FG-SLS 3 IN 1 (8/14 Step) 2.4m 150kg Ind	12
FS13868	Retail Platform Step Stool 2 - 120kg Ind	22
FS13869	Retail Platform Step Stool 3 - 120kg Ind	22
FS13870	Retail Platform Step Stool 4 - 120kg Ind	22
FS13909	Pro FG FXN Ext 8 Vee 150kg Ind Punchlock®	18
FS13910	Pro FG FXN Ext 10 Vee 150kg Ind Punchlock®	18
FS13911	Pro FG FXN Ext 12 Vee 150kg Ind Punchlock®	18
FS13912	Pro FG FXN Ext 14 Vee 150kg Ind Punchlock®	18
FS13913	Pro FG FXN Ext 16 Vee 140kg Ind Punchlock®	18
FS13914	Pro FG FXN Ext 18 Vee 140kg Ind Punchlock®	18
FS13917	Pro FG FSXN Ext 8 Vee 150kg Ind Punchlock®	19
FS13918	Pro FG FSXN Ext 10 Vee 150kg Ind Punchlock®	19
FS13919	Pro FG FSXN Ext 12 Vee 150kg Ind Punchlock®	19
FS13920	Pro FG FSXN Ext 14 Vee 150kg Ind Punchlock®	19
FS13921	Pro FG FSXN Ext 16 Vee 140kg Ind Punchlock®	19

BAILEY**WERNER****KNAACK**

ladderspares.com.au

FINALLY, WE MADE FINDING 'LADDER SPARE PARTS' EASY!

TO IDENTIFY WHICH SPARES ARE AVAILABLE, SIMPLY LOGIN TO WWW.LADDERSPARES.COM.AU AND FOLLOW THE PROMPTS.



**SCAN TO VISIT
OUR NEW
WEBSITE**

HOW TO FIND SPARE PARTS

Step 1

Scan this QR code using your smart phone or login to www.ladderspares.com.au

Step 2

If you know the actual code of the ladder, enter this into the 'Enter Product Code' cell.

If you don't know the code, continue using the search criteria below this field.

Step 3

Select the ladder brand (Bailey, Werner, Knaack, etc).

Step 4

Select the ladder type or design.
For example, a double sided stepladder

Step 5

What material is the ladder made from?
For example, fibreglass or aluminium

Step 6

Is the ladder riveted or Punchlock?

Step 7

What size is the ladder? Count the number of treads or rungs, Eg. 6 foot

Step 8

Select the Load Rating of the ladder (100-170kg).





**FOR FURTHER INFORMATION,
PLEASE CONTACT OUR CUSTOMER
CARE CENTRE 1300 760 717**

BAILEYLADDERS.COM.AU

Orders: AUS.Orders@wernerco.com

Claims: AUS.RMA@wernerco.com

WERNERCO™

WernerCo Australia Pty Ltd A.B.N. 88 151 127 061

All details in this brochure are correct at time of printing.
WernerCo Australia reserves the right to alter product
specifications at any time without notice.

Doc No. DOC20.0116 ©2021 Werner Co. BAI 052021